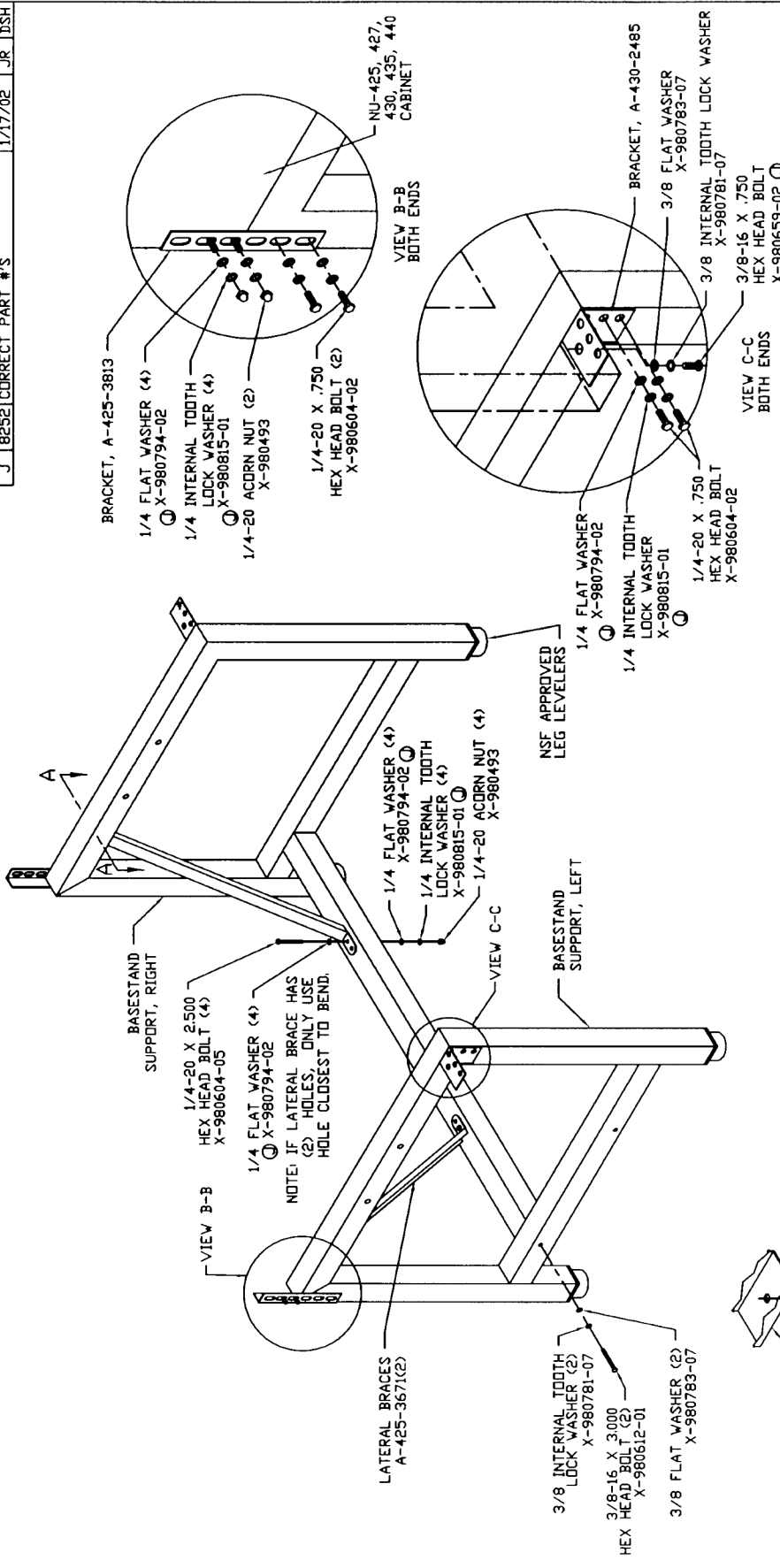


| REV | ECO | DESCRIPTION | DATE | DFM | CHKD |
|-----|------|------------------|---------|-----|------|
| J | 8252 | CORRECT PART #'S | 1/17/02 | JR | DSH |



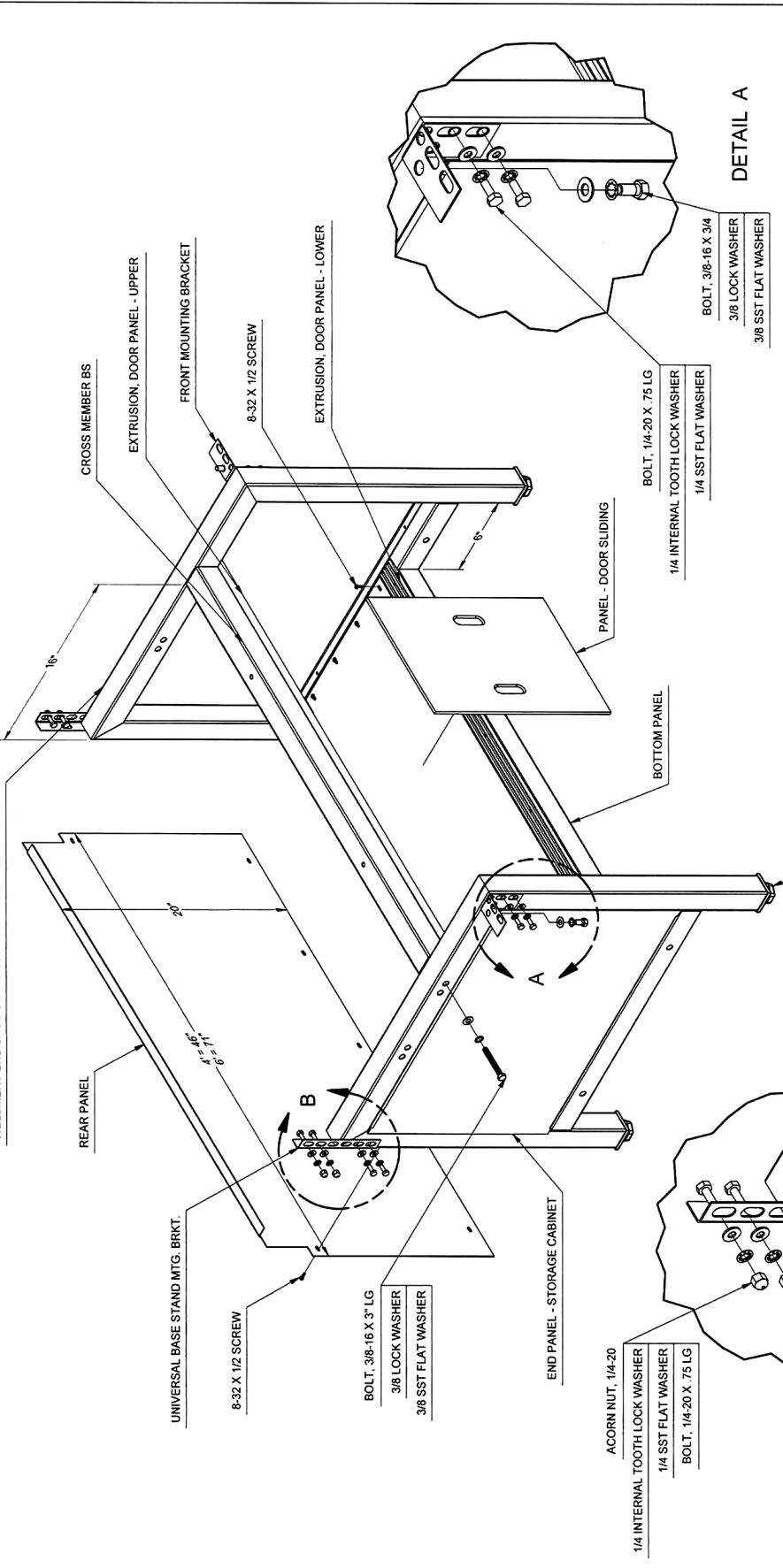
| | | | |
|--|--------|--|--------------------------------|
| | | PROPRIETARY THE INFORMATION CONTAINED HEREIN IS THE EXCLUSIVE PROPERTY OF HARSCO INC. AND IS NOT TO BE REPRODUCED OR USED IN ANY MANNER WITHOUT THE EXPRESS WRITTEN PERMISSION OF HARSCO INC. | |
| DATE | 2/5/99 | TITLE | BASE STAND ASSEMBLY (STANDARD) |
| DFM | TW | CHKD | JR |
| UNLESS OTHERWISE SPECIFIED DIMENSIONS ARE IN INCHES -TOLERANCES- DECIMALS .0032 ANGLES ±2° | | MATERIAL | AS NOTED |
| | | NUMBER | BCD-05147 |
| | | DO NOT SCALE DRAWING SHEET 1 OF 1 | |

ASSEMBLY INSTRUCTIONS:

1.) ASSEMBLE BASE STAND WITH HARDWARE SHOWN.

| REV | ECO | DESCRIPTION | DATE | DFTM | CHKD |
|-----|-----|---------------------------|----------|------|------|
| G | | 10958 MODELED IN INVENTOR | 6/9/2010 | DHH | DSH |

| DATE | TITLE | MATERIAL | ASSEMBLY |
|---|----------------------------|----------------|----------------|
| 8/12/2010 | BASE STAND STORAGE CABINET | AS NOTED | |
| DFTM | CHKD | PROJECT NUMBER | PROJECT NUMBER |
| DHH | DSH | BCD-05146 | |
| UNLESS OTHERWISE SPECIFIED DIMENSIONS ARE IN INCHES | | | ASSEMBLY |
| TOLERANCES - DECIMALS - ± | | | NUMBER |
| ANGLES - ± | | | 1 OF 1 |



| | | | |
|---|-----------|--|----------------------------|
| | | PROPRIETARY THE INFORMATION CONTAINED HEREIN IS THE EXCLUSIVE PROPERTY OF HUNARE INC. AND IS NOT TO BE DIVULGED OR USED IN ANY MANNER WITHOUT THE EXPRESS WRITTEN PERMISSION OF HUNARE INC. | |
| DATE | 8/12/2010 | TITLE | BASE STAND STORAGE CABINET |
| DFTM | DHH | MATERIAL | AS NOTED |
| CHKD | DSH | PART NUMBER | BCD-05146 |
| UNLESS OTHERWISE SPECIFIED DIMENSIONS ARE IN INCHES | | PROJECT NUMBER | |
| TOLERANCES - DECIMALS - ± | | PROJECT NUMBER | |
| ANGLES - ± | | NUMBER | 1 OF 1 |

| | | | |
|---|-----------|--|----------------------------|
| | | PROPRIETARY THE INFORMATION CONTAINED HEREIN IS THE EXCLUSIVE PROPERTY OF HUNARE INC. AND IS NOT TO BE DIVULGED OR USED IN ANY MANNER WITHOUT THE EXPRESS WRITTEN PERMISSION OF HUNARE INC. | |
| DATE | 8/12/2010 | TITLE | BASE STAND STORAGE CABINET |
| DFTM | DHH | MATERIAL | AS NOTED |
| CHKD | DSH | PART NUMBER | BCD-05146 |
| UNLESS OTHERWISE SPECIFIED DIMENSIONS ARE IN INCHES | | PROJECT NUMBER | |
| TOLERANCES - DECIMALS - ± | | PROJECT NUMBER | |
| ANGLES - ± | | NUMBER | 1 OF 1 |

| | | | |
|---|-----------|--|----------------------------|
| | | PROPRIETARY THE INFORMATION CONTAINED HEREIN IS THE EXCLUSIVE PROPERTY OF HUNARE INC. AND IS NOT TO BE DIVULGED OR USED IN ANY MANNER WITHOUT THE EXPRESS WRITTEN PERMISSION OF HUNARE INC. | |
| DATE | 8/12/2010 | TITLE | BASE STAND STORAGE CABINET |
| DFTM | DHH | MATERIAL | AS NOTED |
| CHKD | DSH | PART NUMBER | BCD-05146 |
| UNLESS OTHERWISE SPECIFIED DIMENSIONS ARE IN INCHES | | PROJECT NUMBER | |
| TOLERANCES - DECIMALS - ± | | PROJECT NUMBER | |
| ANGLES - ± | | NUMBER | 1 OF 1 |

| | | | |
|---|-----------|--|----------------------------|
| | | PROPRIETARY THE INFORMATION CONTAINED HEREIN IS THE EXCLUSIVE PROPERTY OF HUNARE INC. AND IS NOT TO BE DIVULGED OR USED IN ANY MANNER WITHOUT THE EXPRESS WRITTEN PERMISSION OF HUNARE INC. | |
| DATE | 8/12/2010 | TITLE | BASE STAND STORAGE CABINET |
| DFTM | DHH | MATERIAL | AS NOTED |
| CHKD | DSH | PART NUMBER | BCD-05146 |
| UNLESS OTHERWISE SPECIFIED DIMENSIONS ARE IN INCHES | | PROJECT NUMBER | |
| TOLERANCES - DECIMALS - ± | | PROJECT NUMBER | |
| ANGLES - ± | | NUMBER | 1 OF 1 |

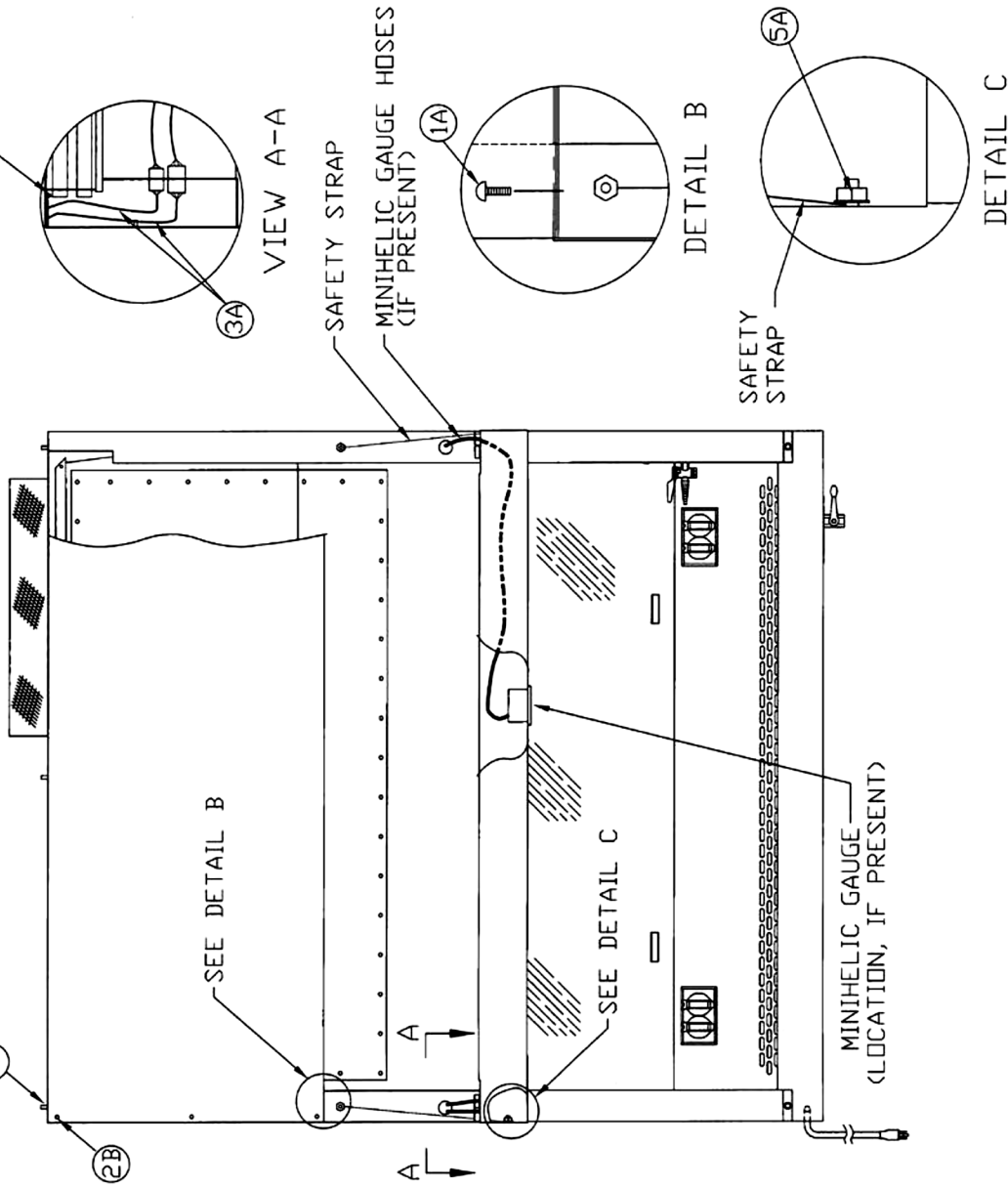
| | | | |
|---|-----------|--|----------------------------|
| | | PROPRIETARY THE INFORMATION CONTAINED HEREIN IS THE EXCLUSIVE PROPERTY OF HUNARE INC. AND IS NOT TO BE DIVULGED OR USED IN ANY MANNER WITHOUT THE EXPRESS WRITTEN PERMISSION OF HUNARE INC. | |
| DATE | 8/12/2010 | TITLE | BASE STAND STORAGE CABINET |
| DFTM | DHH | MATERIAL | AS NOTED |
| CHKD | DSH | PART NUMBER | BCD-05146 |
| UNLESS OTHERWISE SPECIFIED DIMENSIONS ARE IN INCHES | | PROJECT NUMBER | |
| TOLERANCES - DECIMALS - ± | | PROJECT NUMBER | |
| ANGLES - ± | | NUMBER | 1 OF 1 |

| | | | |
|---|-----------|--|----------------------------|
| | | PROPRIETARY THE INFORMATION CONTAINED HEREIN IS THE EXCLUSIVE PROPERTY OF HUNARE INC. AND IS NOT TO BE DIVULGED OR USED IN ANY MANNER WITHOUT THE EXPRESS WRITTEN PERMISSION OF HUNARE INC. | |
| DATE | 8/12/2010 | TITLE | BASE STAND STORAGE CABINET |
| DFTM | DHH | MATERIAL | AS NOTED |
| CHKD | DSH | PART NUMBER | BCD-05146 |
| UNLESS OTHERWISE SPECIFIED DIMENSIONS ARE IN INCHES | | PROJECT NUMBER | |
| TOLERANCES - DECIMALS - ± | | PROJECT NUMBER | |
| ANGLES - ± | | NUMBER | 1 OF 1 |

ORIGINAL

ASSEMBLY INSTRUCTIONS
 NOTE:
 1. ASSEMBLE BASE STAND STORAGE CABINET WITH HARDWARE AS SHOWN.

| | | | |
|---------|-------------------------|----------|----------|
| REV ECD | DESCRIPTION | DATE | DRETCHKD |
| B 11089 | ADDED NU-475/477 MODELS | 12/17/10 | DHH/DSS |



CONTROL CENTER REMOVAL PROCEDURE

CAUTION

DISCONNECT ALL ELECTRICAL SERVICE TO UNIT BEFORE STARTING PROCEDURE

- 1A) REMOVE (2) #8-32 SCREWS FROM TOP OF CONTROL CENTER AND GENTLY LET CONTROL CENTER OPEN ON SAFETY STRAPS.
- 2A) REMOVE MINIHELIC GAUGE HOSE (IF PRESENT) (HOSE CLAMP/MAG GAUGE).
- 3A) DISCONNECT ELECTRICAL CONNECTORS AND CABLE CLAMPS SO THEY ARE LOOSE TO THE MAIN CABINET (BOTH SIDES).
- 4A) LOOSEN NUT (HINGE STOP) AND MOVE METAL TAB 90°.
- 5A) REMOVE A 1/4-20 NUT FROM CONTROL CENTER HOLDING THE SAFETY STRAP.(BOTH ENDS)
- 6A) SLIDE CONTROL CENTER TO LEFT UNTIL FREE.
- 7A) TO ATTACH CONTROL CENTER REVERSE THE ABOVE STEPS.

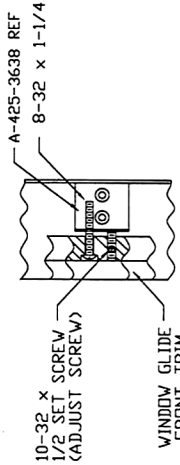
FRONT DECORATIVE PANEL REMOVAL PROCEDURE

- 1A) REMOVE (2) #8-32 SCREWS FROM TOP OF CONTROL CENTER AND GENTLY LET CONTROL CENTER OPEN ON SAFETY STRAPS.
- 1B) REMOVE (3) NUTS FROM TOP EDGE OF PANEL.
- 2B) REMOVE (6) KNURLED SCREWS FROM FRONT OF PANEL, IF PRESENT.
- 3B) TO ATTACH FRONT DECORATIVE PANEL REVERSE THE ABOVE STEPS.

ORIGINAL

| | |
|--|-----------|
| | |
| NU-425/427/430/435/437/440/475/477/480/629 CONTROL CENTER & FRONT DECORATIVE PANEL | |
| DFTM/CV | 2/16/07 |
| CHKD | BP |
| SHEET | 1 OF 1 |
| DRAWING NUMBER | BCD-11817 |
| | B |

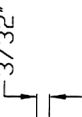
| | | | | | |
|-----|------|---|---------|------|------|
| REV | ECD | DESCRIPTION | DATE | DRFT | CHKD |
| A | 9662 | RELEASED TO PRODUCTION SERIES CHANGE | 2/16/07 | CV | BP |



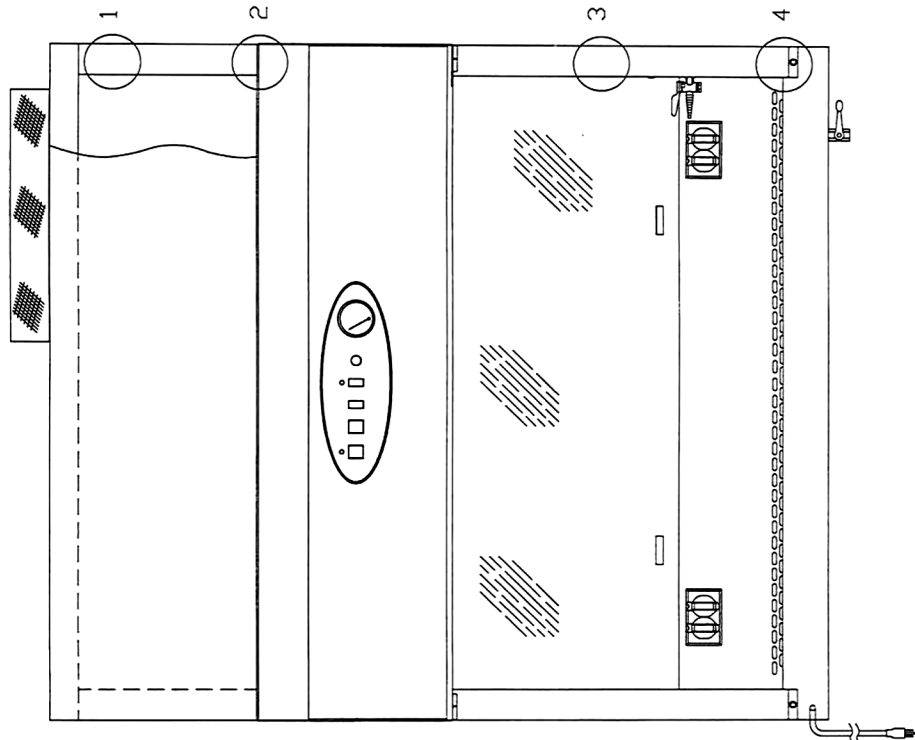
DETAIL A

WINDOW GLIDE ADJUSTMENT

THE LEFT WINDOW GLIDE IS STATIONARY AND HAS NO ADJUSTMENTS. THE RIGHT WINDOW GLIDE HAS ADJUSTMENTS THAT ARE LOCATED AT THE CIRCLED POSITIONS 1 THRU 4. TO ACCESS POSITIONS 1 AND 2, REMOVAL OF THE FRONT DECORATIVE PANEL IS NECESSARY. IF THE WINDOW IS TOO LOOSE AT ANY OF THE FOUR POSITIONS LOOSEN THE PHILLIPS HEAD TENSION SCREW AND TURN THE ALLEN HEAD SET SCREW CLOCKWISE A FULL TURN OR UNTIL YOU ACHIEVE THE POSITION THAT IS MOST COMFORTABLE FOR THE WINDOW TO SLIDE. THEN RETIGHTEN THE TENSION SCREW. TURN ADJUST SCREW COUNTERCLOCKWISE IF THE WINDOW IS TOO TIGHT.

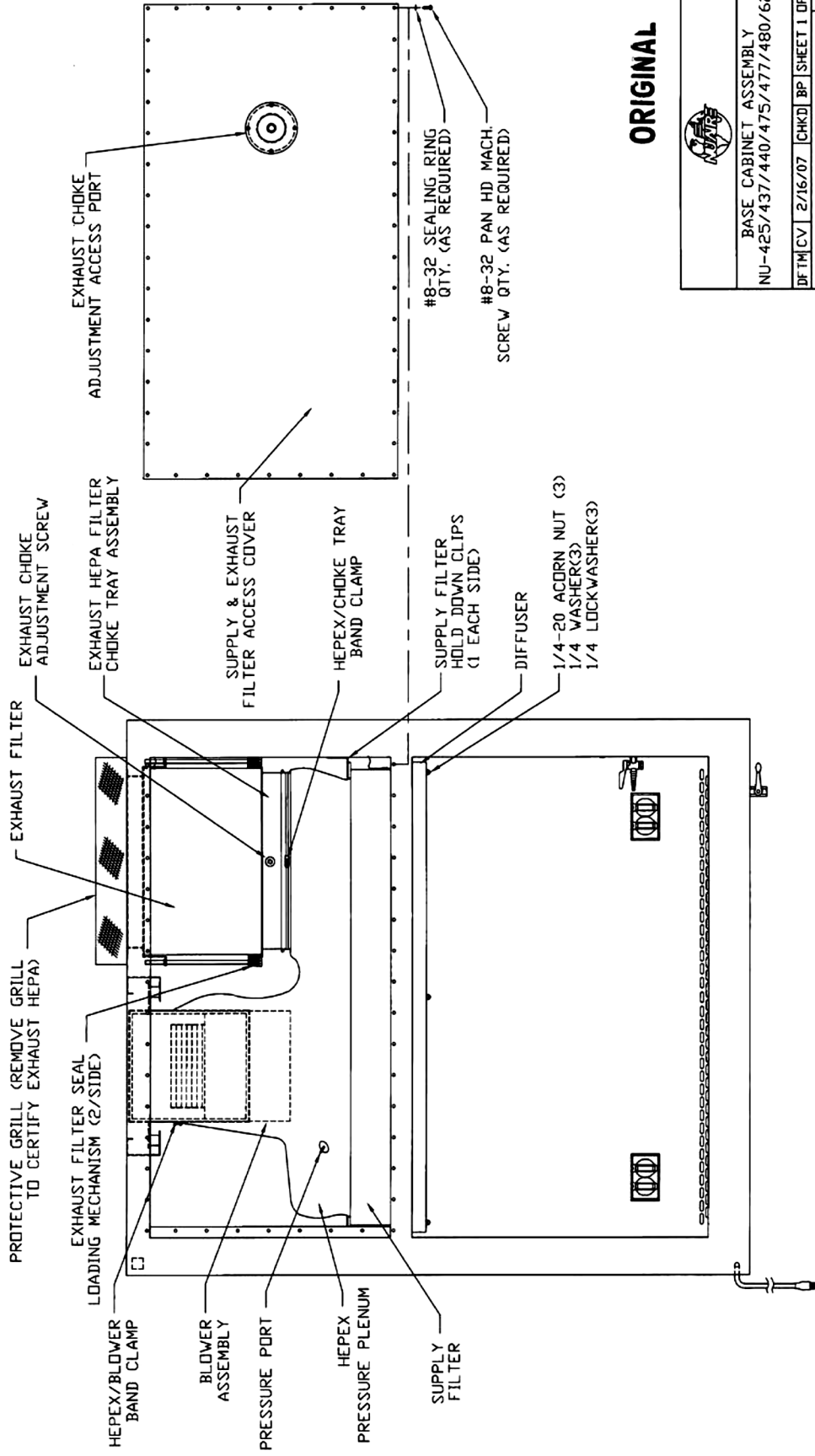


- TOOLS REQUIRED:**
- 1.) 3/32" ALLEN WRENCH
 - 2.) PHILLIPS SCREW DRIVER



| | | | | | | |
|---|----|---------|------|----|-----------|------|
| | | | | | | |
| NU-425,427,430,435,437,440,629 SLIDING WINDOW ASSY & ADJUSTMENT | | | | | | |
| DF TM | CV | 2/16/07 | CHKD | BP | SHEET 1 | OF 1 |
| DRAWING NUMBER | | | | | BCD-11818 | |
| | | | | | A | |

| REV | ECO | DESCRIPTION | DATE | DRAWN | CHKD |
|-----|-------|-------------------------|----------|-------|------|
| B | 11089 | ADDED NU-475/477 MODELS | 12/17/10 | DHH | DSJ |



ORIGINAL

| | |
|---|--------------|
| | |
| BASE CABINET ASSEMBLY NU-425/437/440/475/477/480/629 | |
| DATE | 2/16/07 |
| CHKD | BP |
| BP | SHEET 1 OF 1 |
| DRAWING NUMBER | BCD-11819 |
| | B |